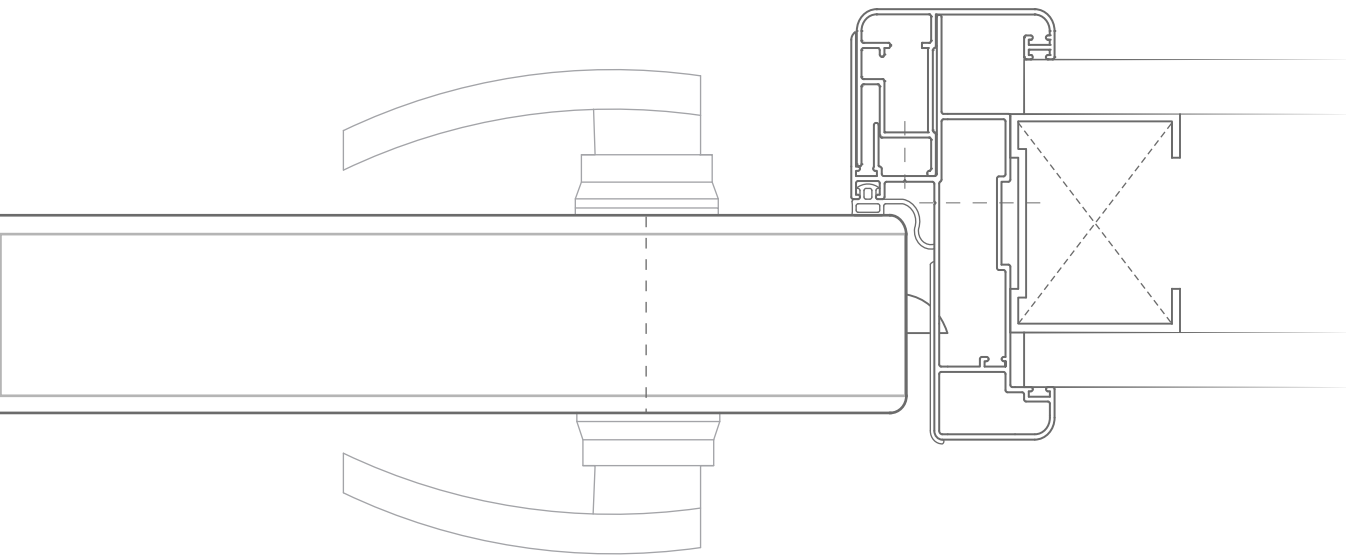




Solutions for drywall partitions



DOORS + WINDOWS

STANDARD

The SCP-GY series consists of aluminum frames for dry construction partitions and for masonry. The aluminum frames are designed to combine a flawless aesthetic effect, while at the same time they ensure construction stability and functionality.

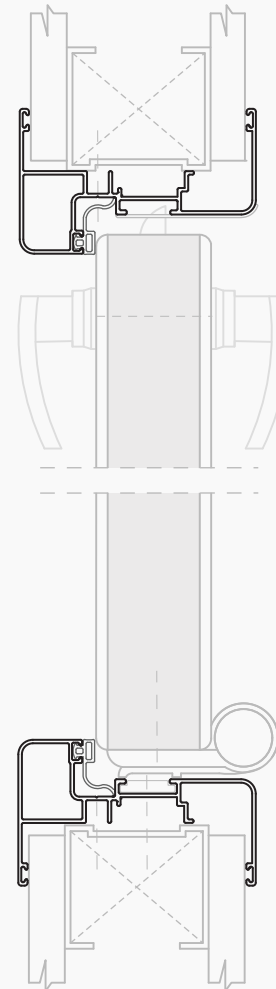
The various partition thicknesses, as well as their easy and quick installation, covers the different needs and particularities of professional and work spaces.

Aluminum profiles for door frames are powder coated in white (RAL 9016) and grey (RAL 7011) for instant delivery, while there is the possibility to paint them in every available RAL color.

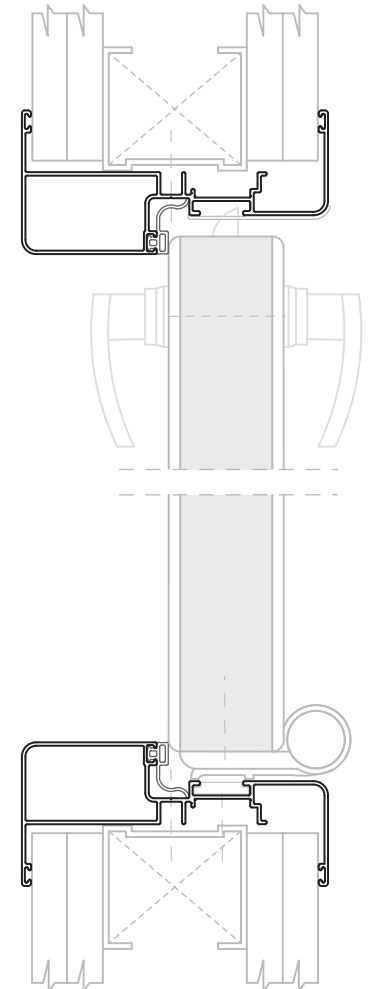
The "Standard" series consists of aluminum profiles for fixed frames, which can be applied in drywall partitions 75mm or 100mm thick.

Frames applied to doors 38mm thick, with an unpainted MDF or formica finish.

75 mm 



100 mm 



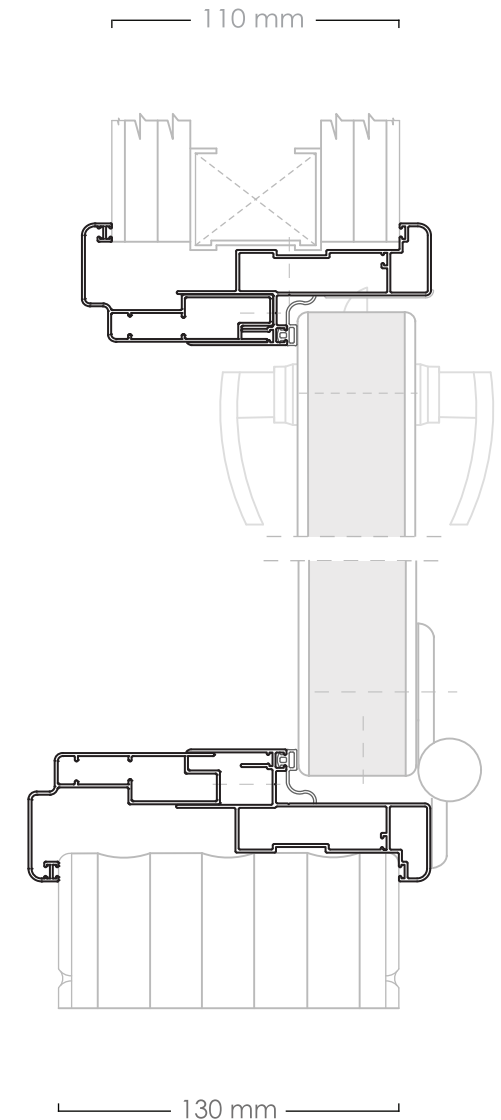
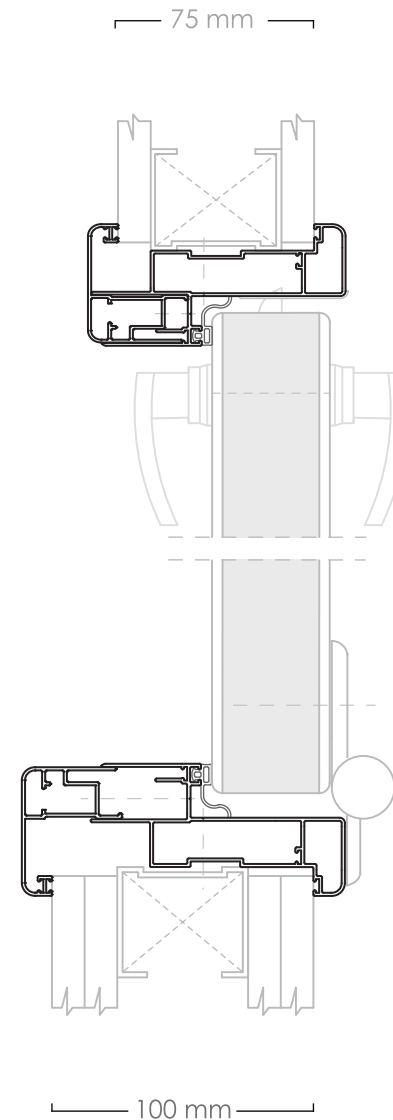
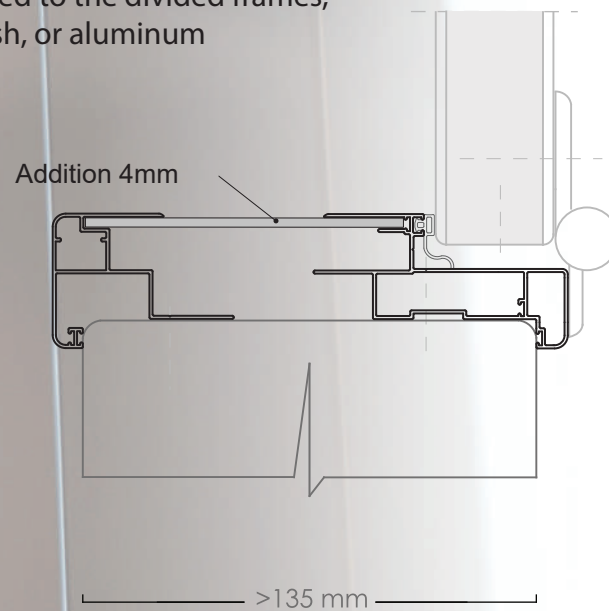
PLUS

The "Plus" series consists of aluminum profile for divided frames, whose cross-sections differ according to the thickness of the partition to which they will be applied:

- Divided aluminum frame for masonry thick 75-100mm
- Divided aluminum frame for masonry thick 110-135mm
- Divided aluminum frame for masonry thick >100mm, with the addition of formica or aluminum, width according to the thickness of the partition.

The doors of 46mm thickness are applied to the divided frames, with an unpainted MDF or formica finish, or aluminum doors 50mm thick.

Divided frames of Plus series accept doors 46 or 50mm thickness, unpainted MDF, formica finish or aluminum doors.



Doors 38mm

A. INTERNAL DOORS 38mm THICK

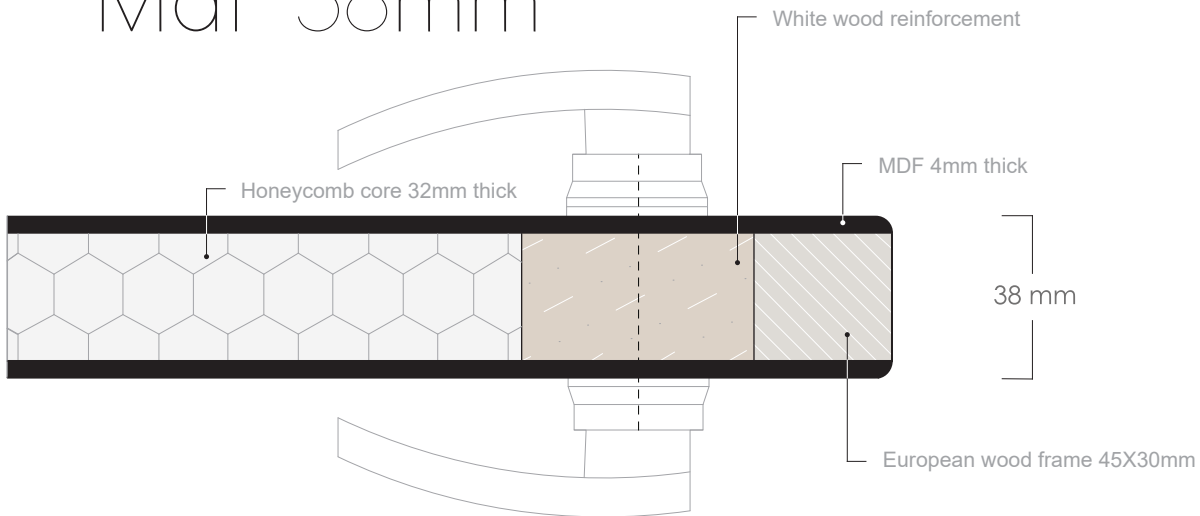
Pressed doors 38mm total thick, with double-sided formica lining or unpainted MDF finish

They are produced from MDF sheet, plain paper honeycomb core and formica sheet 0,7-0,9mm thick.

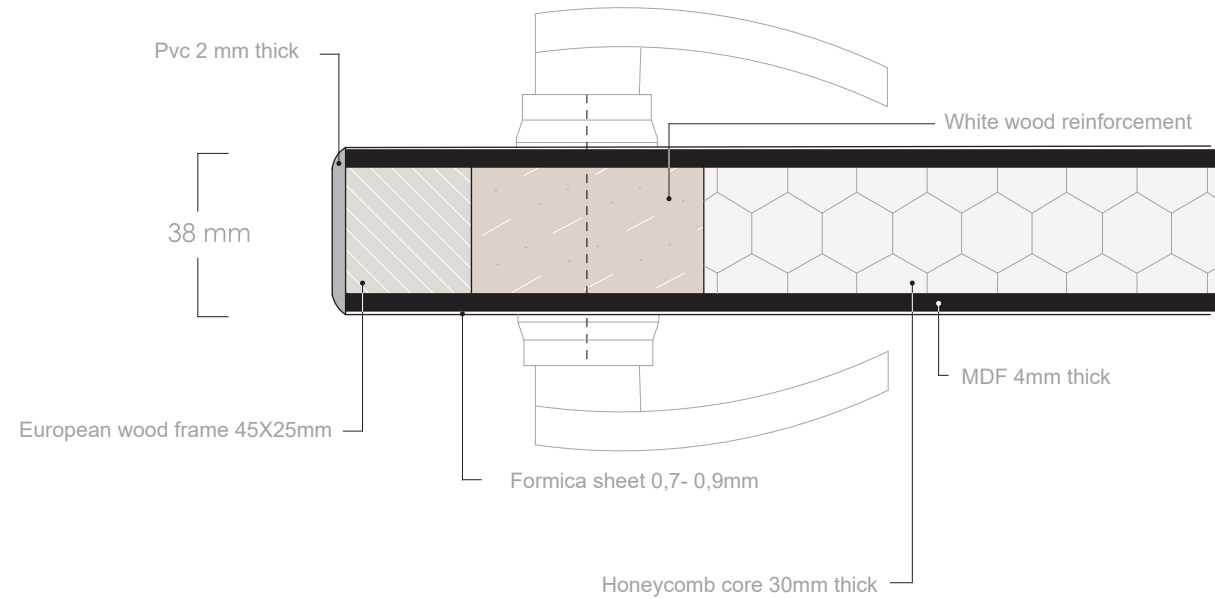
HDF sheets can be used, rockwool or perforated chipboard for spaces with sound insulation requirements.

Door parts according to the requirements of the spaces

Mdf 38mm



Laminate 38mm



Spare parts



SCP door series is complemented by a wide variety of accessories, which offers different options in the use of the doors and ensures their correct operation and durability.



There is the possibility of producing X-RAY doors with lead coating on door leaf and frame.

Doors 46mm

B. INTERNAL DOORS 46mm THICK

Pressed doors 46mm total thick, with double-sided formica lining and PVC margin or unpainted MDF finish.

Doors 46mm thick with aluminum profile margin and double-sided formica lining or melamine 8mm thick.

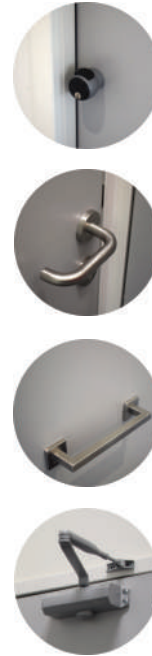
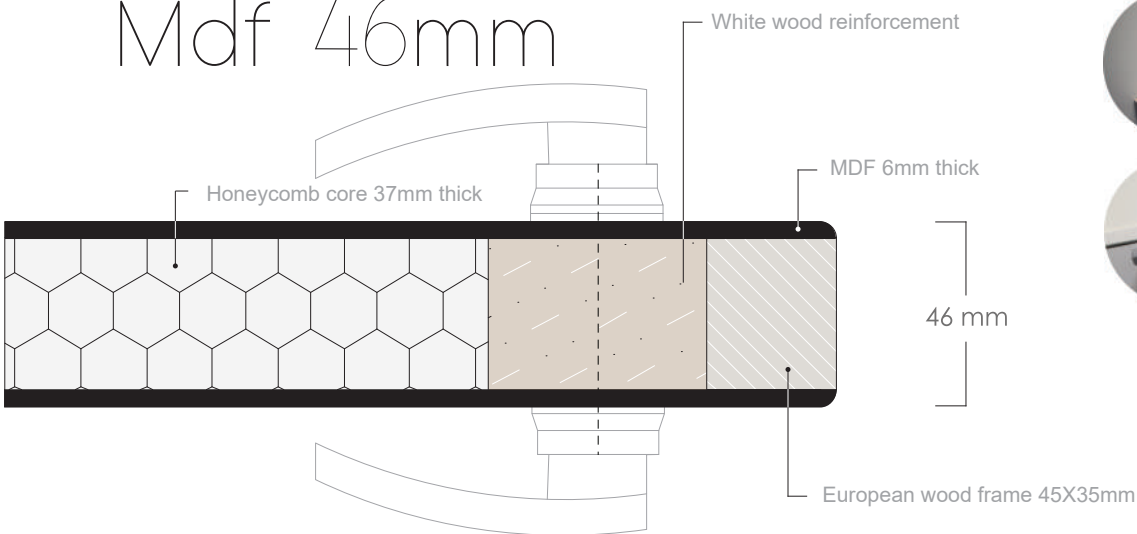
They are produced from MDF sheet, plain paper honeycomb core and formica sheet 0,7-0,9mm thick.

HDF sheets can be used, rockwool or perforated chipboard for spaces with sound insulation requirements.

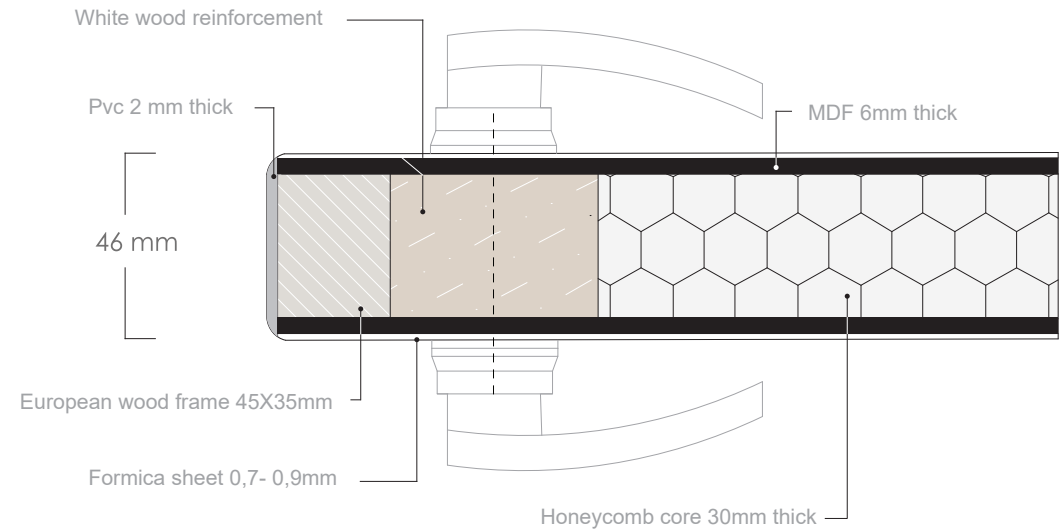
There is the possibility of producing a door with a skylight from aluminum profile and the possibility of installing a ventilation louver.

Door parts according to the requirements of the spaces.

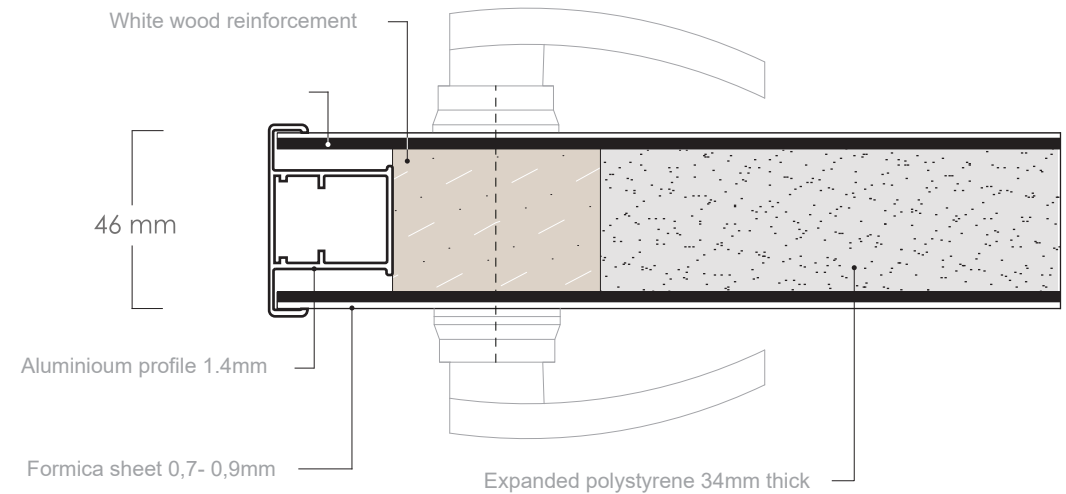
Mdf 46mm



Laminate 46mm



Framed 46mm



Doors 50mm

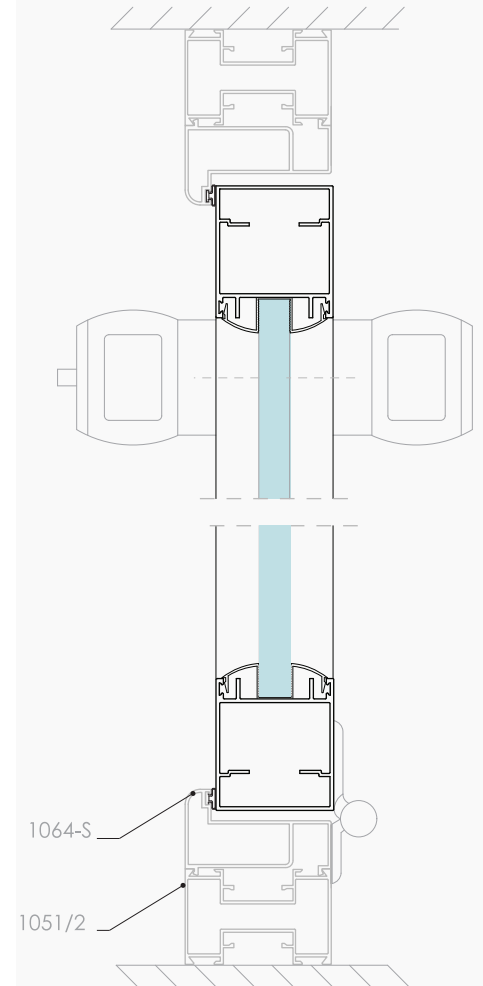
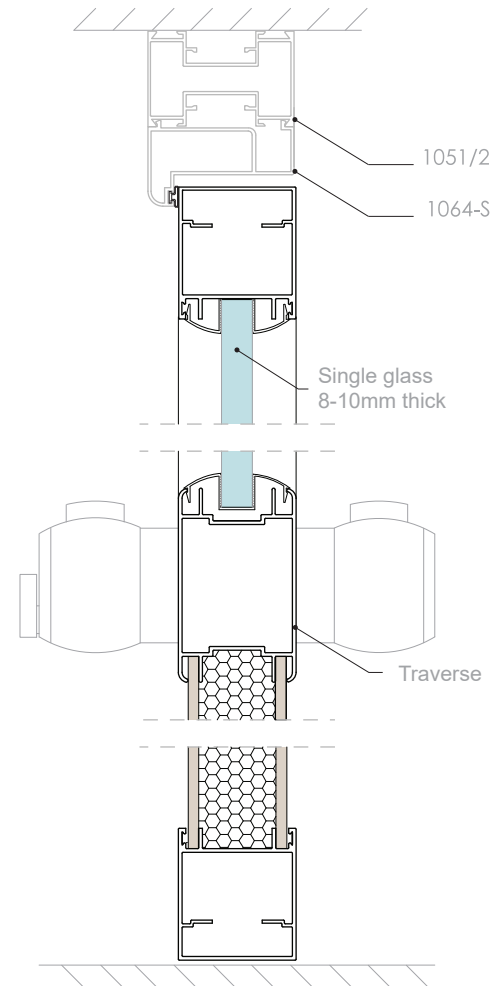
C. INTERNAL DOORS 50mm THICK

Aluminum door with a single glass up to 8mm thick or with two single glasses 4mm thick and aluminum blind intermediate.

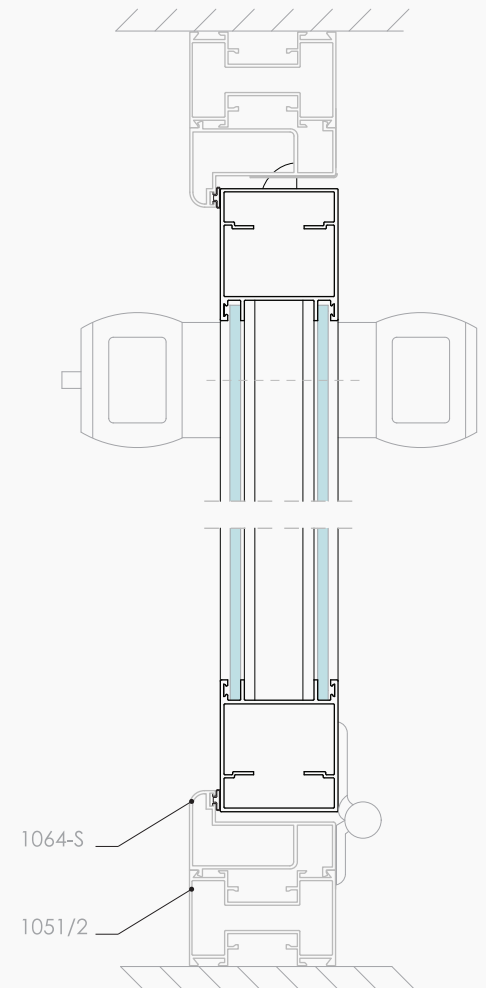
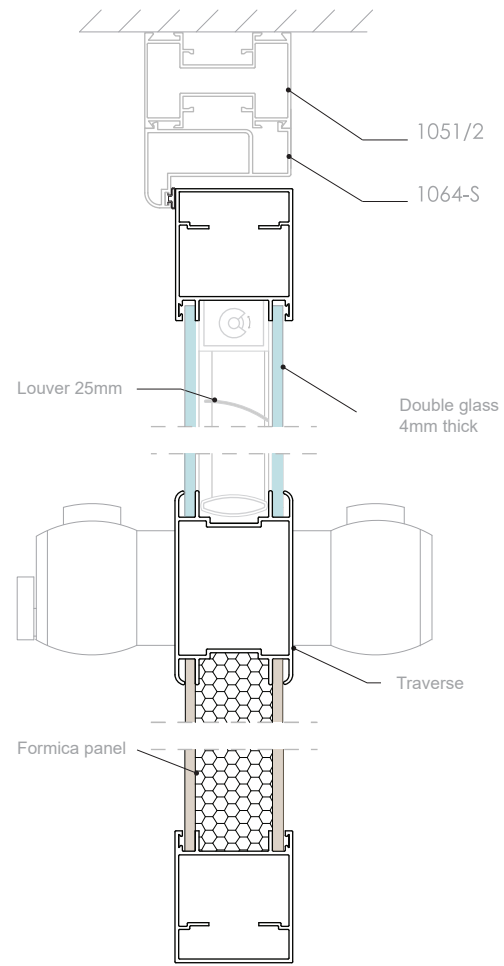
There is the possibility of producing door with panel on the down side and the other with one or two single glasses 4mm thick and aluminum blind intermediate.

The panel could be formica panel or panel with double-sided melamine lining.

Door parts according to the requirements of the spaces.



Doors 50mm



CLIP WINDOW

For the construction of drywall partition windows , SCP provides Clip-Window.

This complete divided window ensures:

- Easy installation and disassembly
- Safe use due to its lock position during application
- Immediate access if required
- High aesthetic result

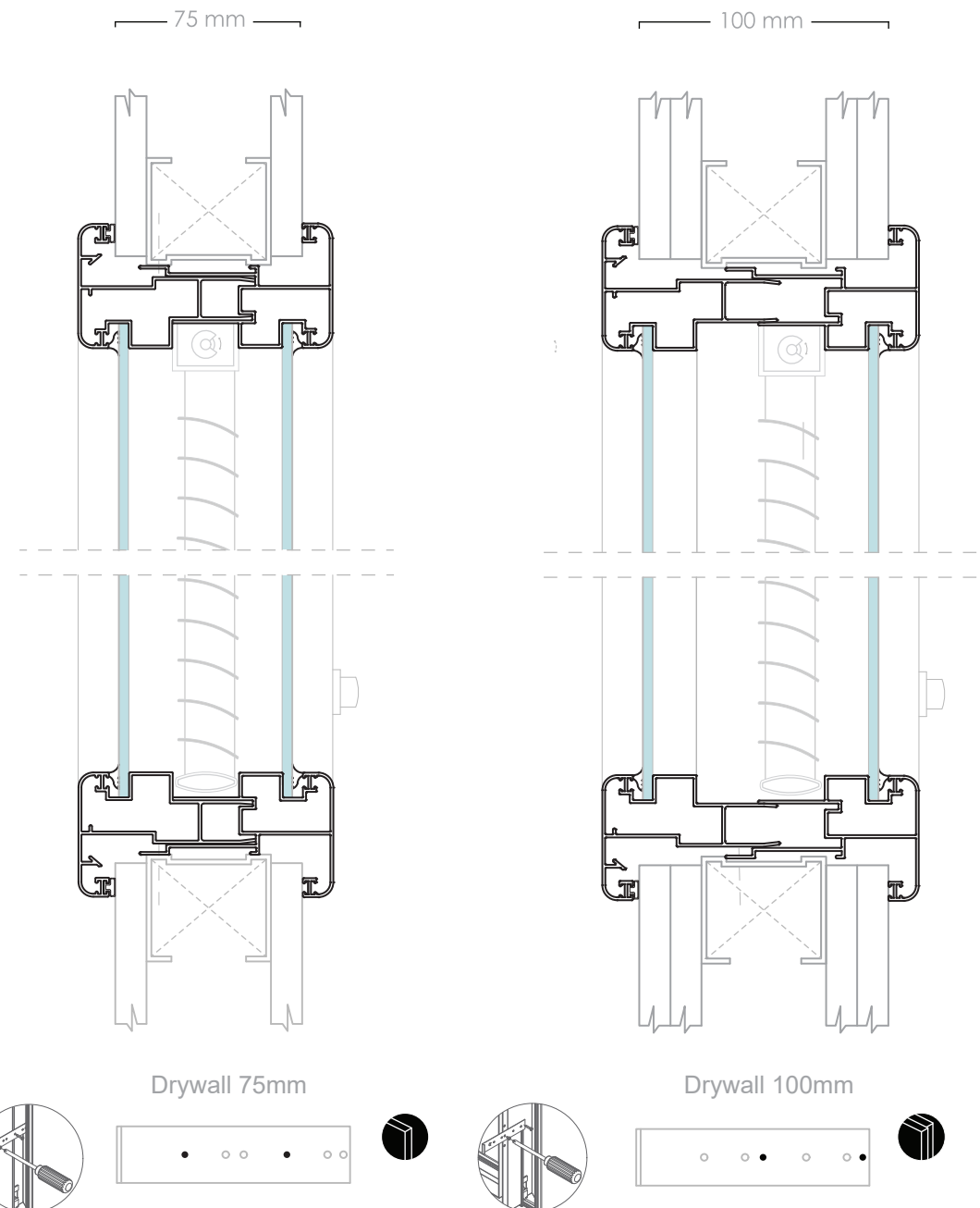
The easy disassembly of the window meets the needs for workplaces' modifications, as it allows its immediate repositioning in another area or building.

The divided frame window is delivered ready for installation, assembled and fully equipped with two glasses (one in each part) 4mm thick and aluminum blind intermediate with rotation possibility. In two vertical profiles from one part, it has been installed a steel addition, which is adjustable and enables application to different thicknesses and partition types. During the application, firstly, it is installed the main part, which is screwed on the frame. After, the other part is installed in such a way that the two parts fit together.

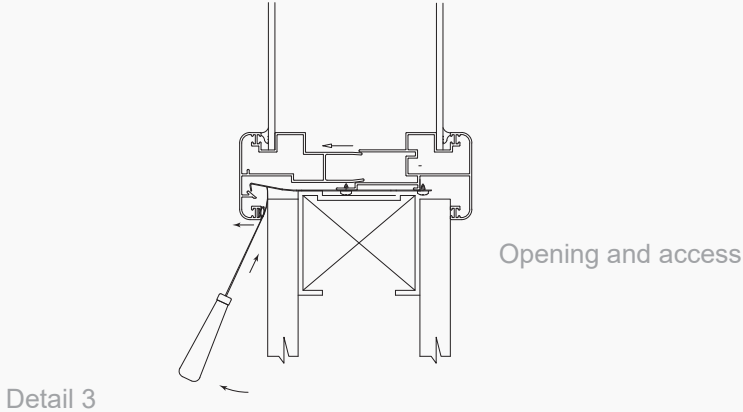
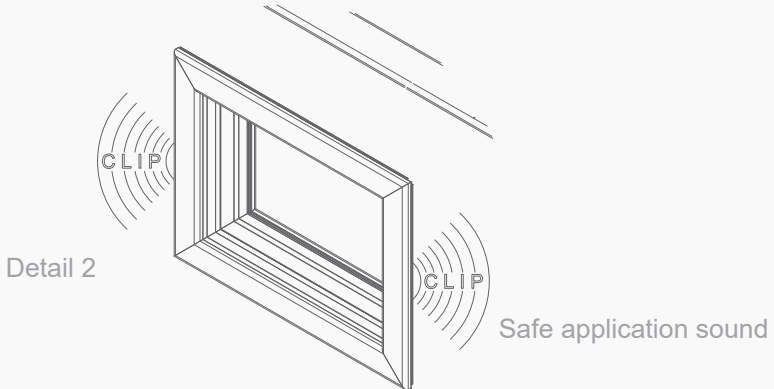
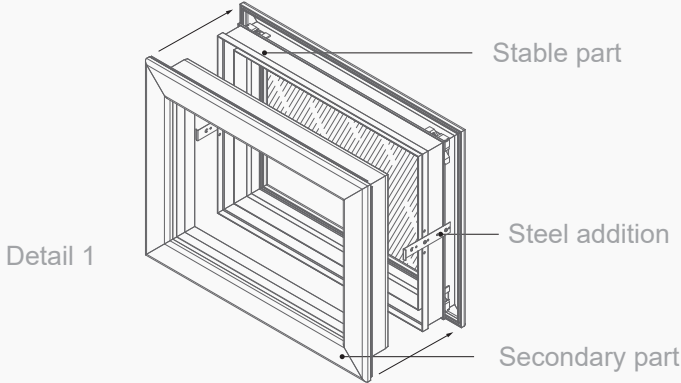
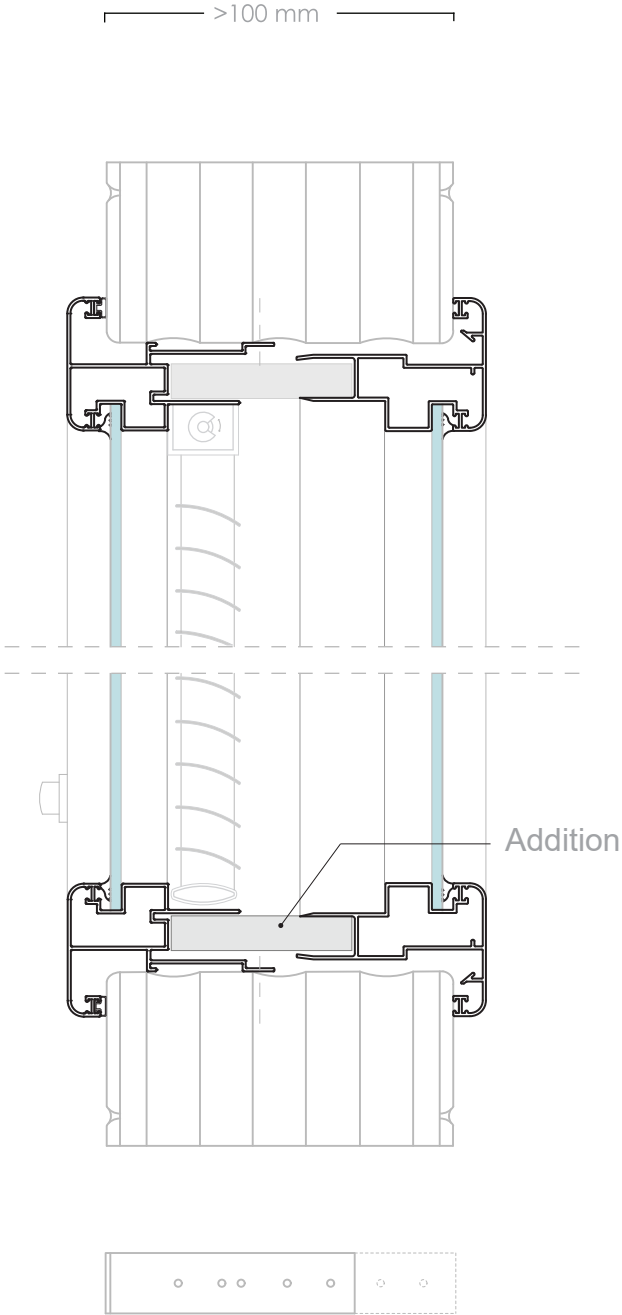
Advantages

- Complete solution
- Easy installation
- Easy access
- Application in masonry thickness up to 75mm

The aluminum profiles are powder coated in white (RAL 9016) and grey (RAL 7011) for instant delivery, while there is the possibility to paint them in every available RAL color.



CLIP WINDOW



BASIC

The “BASIC” series consists of aluminum profile for the construction of fixed windows. It is characterized from easy and quick assembly, as well as and flawless aesthetic effect.

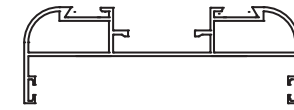
“Basic” series profiles offer easy and quick assembly

They can be applied in masonry with 75mm, 100mm or 125mm thick, while they include aluminum laths depending on the thickness of the glass panes to be selected. The laths have a special design that allows the easy installation, while at the same time they ensure an instant access if needed.

Profiles can be applied with single glass panes up to 8mm thick, double glass panes and two single glass panes 4-5mm thick with aluminum blind in between. Venetian blinds, function in “1094” aluminum profile.

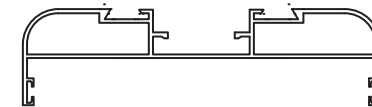
All profiles are delivered ready cut frames, of standard and special dimension, in package which includes all the accessories for their correct application.

The aluminum profiles are powder coated in white (RAL 9016) and grey (RAL 7011) for instant delivery, while there is the possibility to paint them in every available RAL color.



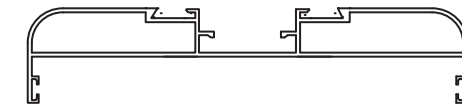
GY675

75mm



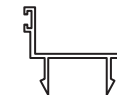
GY610

100mm



GY612

125mm



1094



1055



1054

BASIC

